

Test Code Sheet Number	1	2	1	1	19
---------------------------------------	----------	----------	----------	----------	-----------

TEST CODE SHEET

1. TYPE OF TEST(S)

Endurance - reliability characteristics.

2. WATER REGULATIONS REQUIREMENTS FOR FITTINGSSchedule 2

15-(1) every water system shall contain an adequate device or devices for preventing backflow of fluid from any appliance, fitting or process from occurring.

3. BRITISH STANDARDS OR WATER SPECIFICATION, DEEMED TO SATISFY WATER REGULATIONS REQUIREMENTS

3.1 Fittings with 'kitemarks' which are deemed to satisfy the requirements of regulations are listed in the directory.

4. TEST PROCEDURE

Note Unless otherwise stated the temperature of the test fluid shall be $20 \pm 10^\circ\text{C}$.

4.1 Tests applicable to the following:-

NON-VERIFIABLE DISCONNECTOR CA

Class B valves. (For Hot and Cold Water use)

Devices for the prevention of contamination by backflow.

(A) **NON-VERIFIABLE DISCONNECTOR CA** (Derived from prEN W1097 C25: 1999. Clause 9.4.4)
Class B valves. (For Hot and Cold Water use)

TEST METHOD

APPARATUS The following apparatus is required.

A supply of water to achieve the required temperatures and pressures.

Thermocouples.

Pressure gauges.

PROCEDURE

NOTE: The water used for the test shall have hardness of 275 ± 25 ppm of calcium carbonate.

The procedure shall be as follows:

- (1) Mount the device in the test rig as shown in Figure 5.
- (2) Fill the device and pipework with water.
- (3) Apply a static pressure of $3 \text{ bar} \pm 0.5 \text{ bar}$ both upstream and downstream of the device.
- (4) Maintain this pressure downstream of the device for 90 ± 1 days and at a water temperature of $65^\circ\text{C} \pm 5^\circ\text{C}$.

Test Code					
Sheet	1	2	1	1	19
Number					

Issue No: 1
Date of issue: June 2000.

Sheet 2 of 2

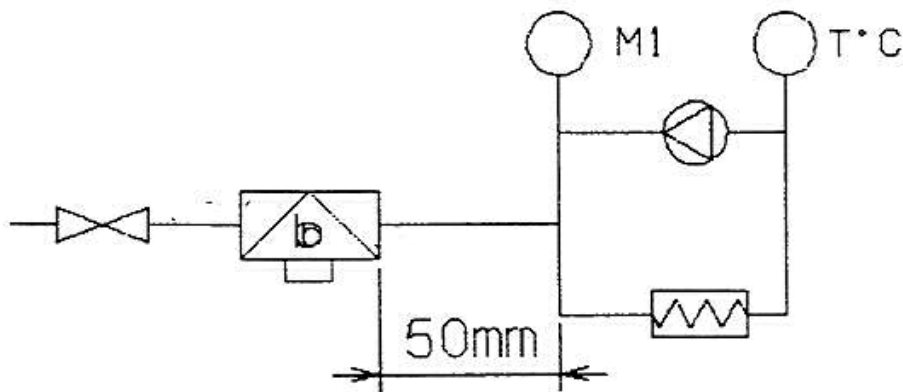


Figure 5 : Reliability testing equipment

5. ACCEPTANCE CRITERIA

The relief valve shall not leak throughout the duration of the test.

Upon completion of the test, without replacement of any component parts, the device shall be capable of meeting the performance tests as detailed in TCS 1111.18, 1111.19, 2212.11 and 1511.1.